

Liebert RCM4

Remote Alarm Monitoring for Critical Systems

Liebert RCM4 contact monitor displays customized alarm indication for any dry contact input, including Liebert units. These remote systems continuously survey your most critical support equipment and instantly alert you to alarm conditions.



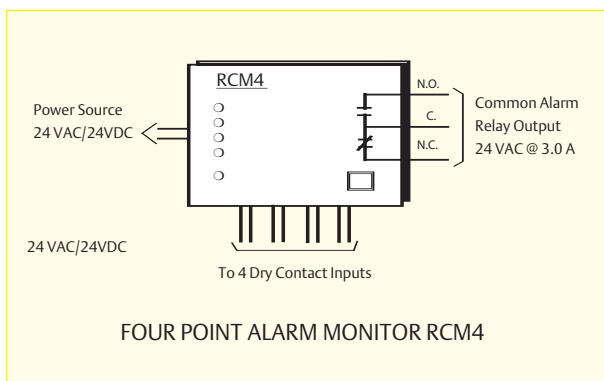
Liebert RCM4 Features

- Customized alarm messages are associated with each LED for quick identification of alarm conditions.
- Easily installed, with removable screw terminal connectors to simplify set-up of monitored points.
- Automatic system reset when incoming alarms are corrected.
- Four-point contact closure monitor
- Monitors any dry contact, including leak detection, environmental, power and UPS systems

RCM4 Contact Monitor Panel

Typical Specifications

- Four point monitor for any combination of environmental, power, and UPS systems, or other dry contact inputs. Powered by 24 Volts AC or DC, 6 VA amp — optional 120 VAC to 24 VAC transformer.
- Removable screw terminal connectors for easy installation.
- Wall-mounted display panel.
- Normal Operation LED (green).
- Alarm Indication LED (red).
- Field customized alarm message area beside each LED alarm indicator.
- Common alarm Form C relay (normally open and normally closed contacts) rated 24V at 3.0 amps AC. For Class 2 circuits only.
- Audible alarm.
- Silence alarm pushbutton.
- Alarm retrIGGERED for each new incoming alarm.
- Automatic reset. Common alarm relay is self-cleared when all incoming alarms are corrected.
- Pre-printed custom alarm message labels (optional).



Liebert Corporation

1050 Dearborn Drive
P.O. Box 29186
Columbus, Ohio 43229
800 877 9222 Phone (U.S. &
Canada Only)
614 888 0246 Phone (Outside U.S.)
614 841 6022 FAX

Via Leonardo Da Vinci 8
Zona Industriale Tognana
35028 Piove Di Sacco (PD)
Italy
39 049 9719 111 Phone
39 049 5841 257 FAX

Emerson Network Power Asia Pacific
7/F., Dah Sing Financial Centre
108 Gloucester Rd, Wanchai
Hong Kong
852 25722201 Phone
852 28029250 FAX

liebert.com

24 x 7 Tech Support

800 222 5877 Phone
614 841 6755 (outside U.S.)

While every precaution has been taken to ensure accuracy and completeness in this literature, Liebert Corporation assumes no responsibility, and disclaims all liability for damages resulting from use of this information or for any errors or omissions.

© 2005 Liebert Corporation. All rights reserved throughout the world. Specifications subject to change without notice.

All names referred to are trademarks or registered trademarks of their respective owners.

® Liebert and the Liebert logo are registered trademarks of the Liebert Corporation.

SL-31020 (R12/05) Printed in USA

Emerson Network Power.

The global leader in enabling
business-critical continuity.

- AC Power Systems
- Connectivity
- DC Power Systems
- Embedded Power
- Power Protection
- Integrated Cabinet Solutions
- Outside Plant
- Precision Cooling
- Site Monitoring and Services

Emerson Network Power and the Emerson Network Power logo are trademarks and service marks of Emerson Electric Co.
©2005 Emerson Electric Co.