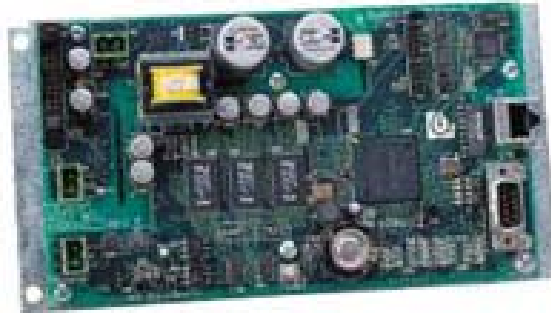


OpenComms Network Interface Card (NIC)



DESCRIPTION	The OpenComms Network Interface Card provides Network and Modbus connectivity for your Emerson Network Power equipment. Operating status is monitored and alarms are communicated via the network, using SNMP and/or HTTP protocols and over RS-485 using Modbus protocol.		
DIMENSIONS:	Net:	178mm x 102mm x 38mm 7" x 4" x 1.5"	0.2kg 0.4lbs
	As Shipped:	229mm x 140mm x 64mm 9.0" x 5.5" x 2.5"	0.6kg 1.3lbs
POWER INPUT:	AC Input Voltage:	18VAC to 24VAC 50/60 Hz, single phase	
	DC Input Voltage:	12VDC to 36VDC	
	Power Consumption:	6VA maximum	
ENVIRONMENT:	Operating Ambient Temperature:	5°C to 40°C 41°F to 104°F	
	Storage Ambient Temperature:	-20°C to 60 °C -4°F to 140°F	
	Relative Humidity:	10% to 90% RH, non-condensing	
COMMUNICATIONS:	Unit Input Communications:	2-Position Terminal Block	
	UPS Unit Input (not all):	20-Pin Vertical Header with Ejection Latches	
	Modbus In / Out:	2-Position Terminal Block	
	Network In / Out:	10baseT Ethernet Network:RJ45 jack SNMP v1, v2c with MIB-II support HTTP 1.1 Telnet BootP, DHCP per RFC2131/2132	
	Service Terminal (RS232):	DB9F, DTE	

PROTECTION: SELV Isolated User Connections
On-board Battery: minimum 100 hours of data and configuration retention
Watchdog Timer Circuitry
Manual Reset Pushbutton

COMPATIBILITY:

(All units are manufactured in North American unless otherwise noted)

Environmental Units with the following Microprocessors:

- Advanced Graphics (Deluxe Sys3, Challenger)
- Standard Microprocessor (Deluxe Sys3, Challenger)
- Level 00 (Deluxe Sys3, Challenger)
- Level 10 (Deluxe Sys3, Challenger)
- Level 05/15 (UK)
- Emerson Network Power – Australia (CEMS100 / LECS15)
- Advanced Micro (Deluxe Sys3, Challenger)
- MiniMate II
- HiMod

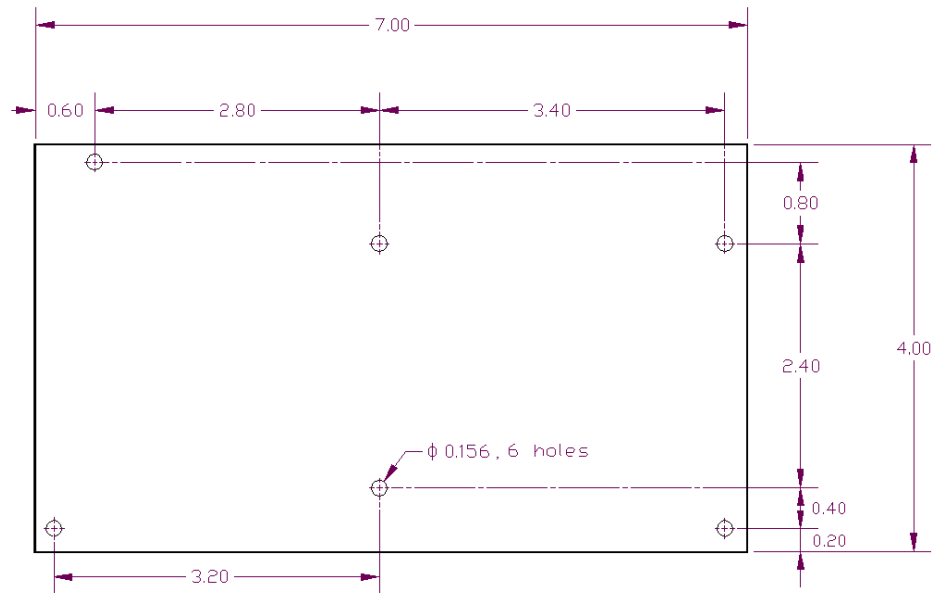
3-Phase UPS:

- Npower
- Hiross 7200 (Italy)
- Hiross HiPulse (Italy)

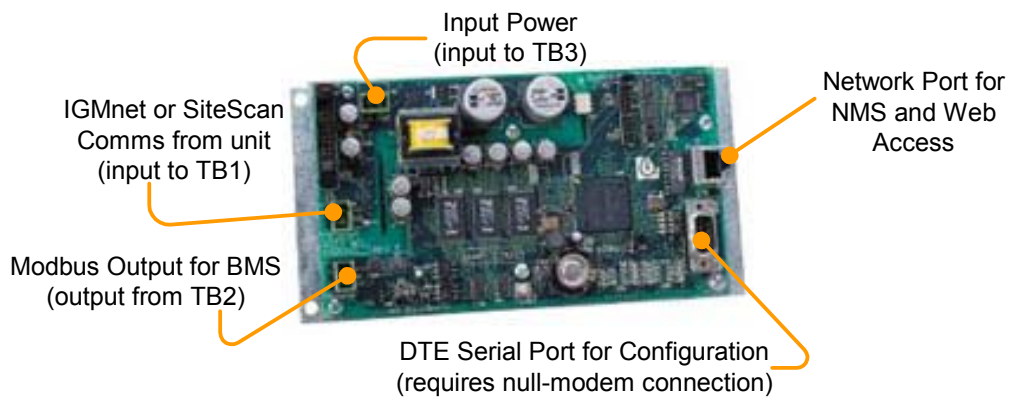
3-Phase Power:

- PDU and DataWave with PMP or EPMP monitoring
- Static Switch
- Static Switch 2

OVERALL AND MOUNTING DIMENSIONS:



CUSTOMER WIRING:



Twisted-pair wires are recommended for:

- input from unit (TB1),
- Modbus output (TB2).

Note polarity as indicated. Maximum cable run: 1000ft (328m) @ 22AWG.

24VAC power for the OpenComms Network card should be applied to TB3. This input is not polarized.